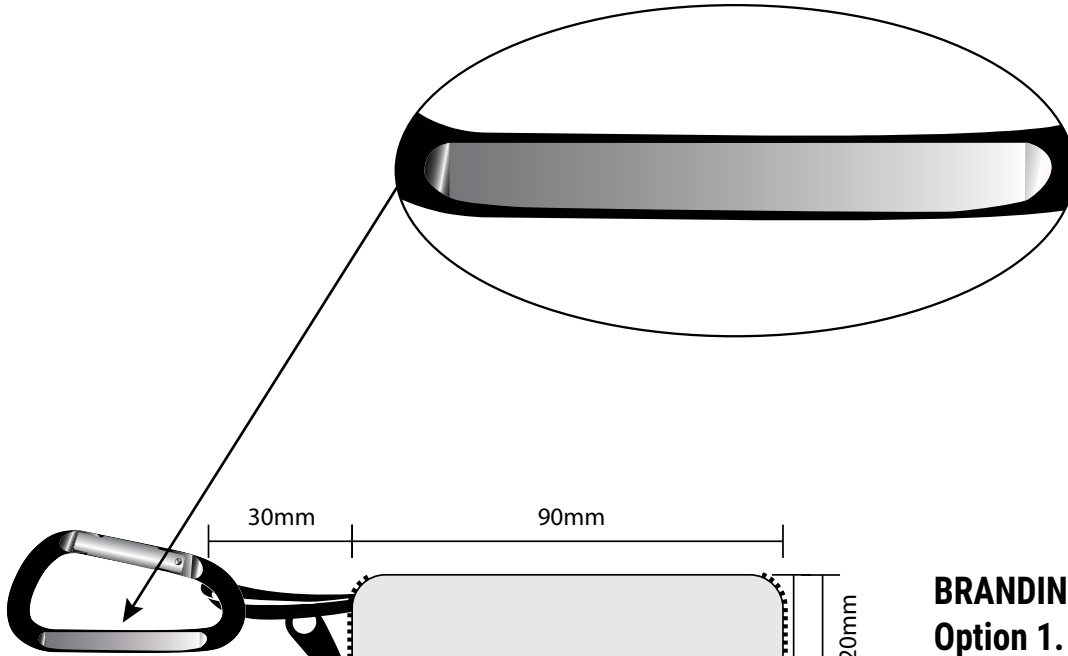


SKU: OM100043

2-IN-1 RETAINER CASE & NEOPRENE ZIP CASE

Order No.: --

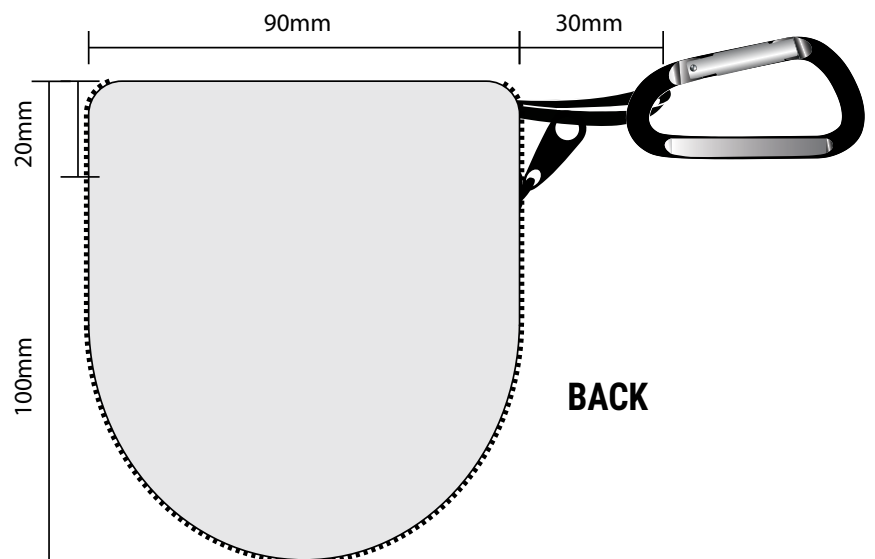
Date: --



BRANDING PROCESS:
Laser Engrave

FRONT

BRANDING PROCESS:
Option 1. Screen Print
Option 2. Full Colour Sublimation



BACK